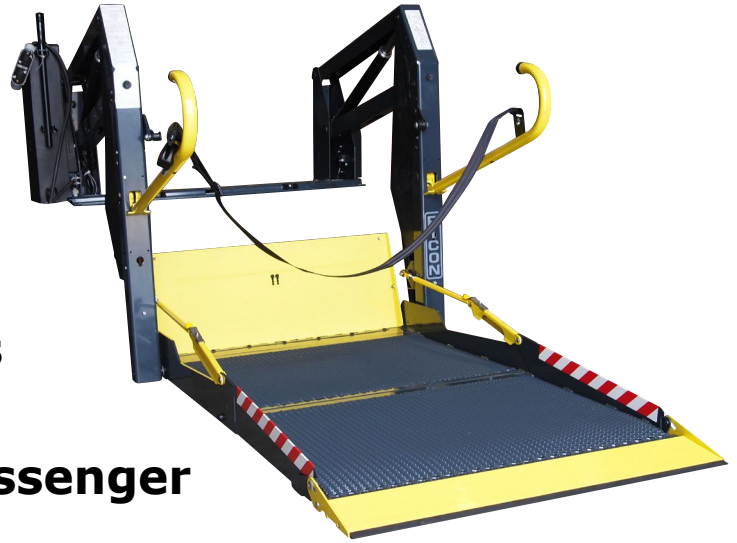


Introducing the Domestic K-Series® Klearvue™ Lift.

The K-Series™ platform folds automatically to provide an unobstructed view by the passenger and the driver.

Ricon K-Series lifts elevate the industry standard for excellence in safe, reliable wheelchair lifts.



THE INDUSTRY STANDARD FOR OVERALL PERFORMANCE, RELIABILITY & VALUE

The K-SERIES KLEARVUE™ is a fully automatic folding platform, that stows away to offer an unobstructed rear view for passenger and driver. Features include compact and simple to operate control pendant, and the security of the industry leading Ricon Safety Zone. This innovative personal K-SERIES in-board passenger lift design provides total convenience for users gaining access in and out of their vehicles.

PERFORMANCE, RELIABILITY AND VALUE

Ricon K-SERIES KLEARVUE™ wheelchair lifts provide secure and reliable access while setting the industry standard for safety, performance, value and ease of use. These innovative lightweight designs feature:

- Easy operation and maintenance
- Lightweight, compact design
- Durable design for long lift life
- Multiple dimension options providing versatility between customers
- Non-intrusive space-saving footprint
- Suitable for most small – large vehicle requirements
- Interlocking passenger safety restraint belt.
- 5 Year Limited Warranty
- ADA Compliant

Space efficient personal design provides convenient vehicle access and the security of the Ricon Safety Zone during lift operation.



KSERIES

ADVANCED RICON LIFT TECHNOLOGY FEATURES RELIABLE PERFORMANCE AND USER-FRIENDLY DESIGN.

Features:

- Folding platform design enables clear view out of rear window.
- Industry-leading Ricon Safety Zone, combines front and rear roll stops and handrails, secures passengers during lift operation.
- Simple and reliable operation provides convenient vehicle access for wheelchairs and scooters.
- Powerful hydraulic pump assures smooth, stable operation.
- Pre-lubricated bearings at all major pivot points for long-term durability.
- All steel construction with high gloss, polyester powder coat finish resists corrosion.
- Standard lifts rated at 350kg.
- ADA regulation compliant.
- Available with Ski Wheels
- 5-year Limited Warranty.
- Complies to AS3856.1:1998



EXCLUSIVE DURA-TOUCH CONTROL PENDANT – Tough and versatile new pendant features shock-resistant polypropylene case with bumper edges, water-resistant buttons and heavy-duty coiled cord.



MANUAL BACKUP SYSTEM – hand pump mechanism provides manual lift operation in case of power loss.



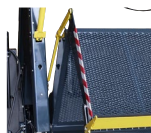
AUTOMATIC INBOARD ROLL-STOP – features quiet patented Sto-Loc self-adjusting mechanism with built in fail safe features.



OUTER ROLL-STOP SWITCH – limits platform travel if not locked into position.



TIGHTER MESH NON SKID PLATFORM – for greater rigidity and improved performance.



OCCUPANT RESTRAINT BELT SYSTEM – Patented fully interlocked Ricon occupant restraint belt system. Combines with dual handrails, inner and outer roll-stop barriers and side rails for industry-leading passenger security.

ANTIMICROBIAL COATING – to handrails can be provided as an optional extra.

SKI WHEELS – can be provided as an optional extra.

LIFT WEIGHTS – between 154-168kg

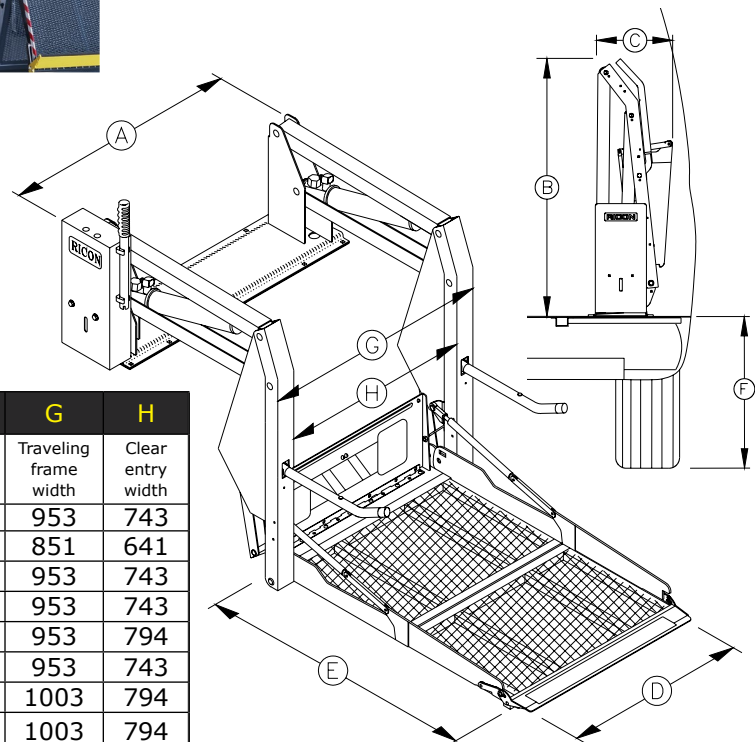
LINKAGE SPRINGS – Provide reliable performance on uneven surfaces

EXCLUSIVE FOLD-IN-HALF PLATFORM (KLEARVUE) – allowing an unobstructed view from within the vehicle

K-SERIES™ LIFT: Models K1100-K5005

Power electro-hydraulic (power-up/gravity-down)
 Pump rating@12 VDC 65A avg/cycle, 8619 kPa
 Pump rating@24 VDC 32.5A avg/cycle, 8619 kPa
 Hydraulic cylinders 2ea, 38mm dia
 Rated load capacity 364 kg
 Manual backup (up) hand pump
 Manual backup (down) pressure release valve
 Lift Weight 141–173 Kg

DIMENSIONS – mm	A	B	C	D	E	F	G	H
MODEL	Stationary frame width	Height (folded)	Installation depth (folded)	Usable platform width	Usable platform length	Floor-to-ground travel	Traveling frame width	Clear entry width
K1101	1194	980	394	762	965	685	953	743
K1132	991	980	394	635	965	610	851	641
K1200	1194	1105	394	762	1118	787	953	743
K1203	1194	1194	394	762	1300	787	953	743
K1205	1245	1194	394	813	1300	787	953	794
K2003	1194	1194	394	762	1300	940	953	743
K2005	1245	1194	394	813	1300	940	1003	794
K2005 ADA	1245	1397	394	813	1300	940	1003	794
K5005	1245	1468	394	813	1300	1092	1003	794



National Importer and Distributor



156 Beringarra Ave, MALAGA WA 6090
 email: kevrek@kevrek.com.au
 website: www.kevrek.com.au
 Ph: (08) 9248 5922 Fax: (08) 9248 5966

