



*Lifting 1250kg at 1.2m, the 1500s sets standards for versatility, suiting a range of applications*



**1250Kg Lifting Capacity At 1.2M**  
**4 Metre Full Extension**  
**375Kg Lifting Capacity At 4M**  
**Emergency Stop**  
**Slew Operator Protection**  
**Hose Burst Protection**  
**Valve Control Guard**  
**Load Indicator**  
**Load Limiter**  
**Stabiliser Leg Sensors**  
**Compliance - AS1418-11-2014**

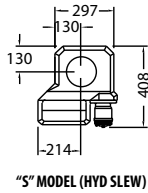
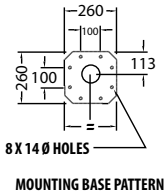
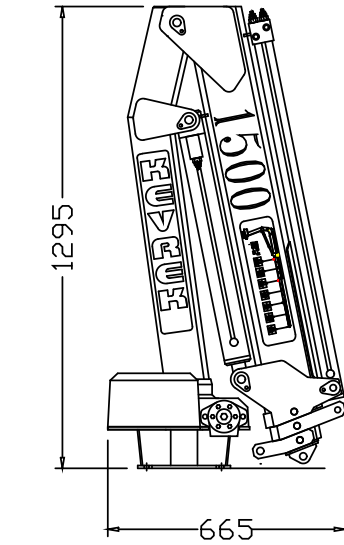


**Flexible Mounting Options**  
**Purposely built for the Australian Market**  
**National and International Dealer Network**  
**Specialised Attachments Available**  
**Proudly Australian Made**  
**2 Year Warranty**  
**5 Year Limited Warranty**



# KEVREK 1500s CRANE SPECIFICATIONS

## TECHNICAL FEATURES:



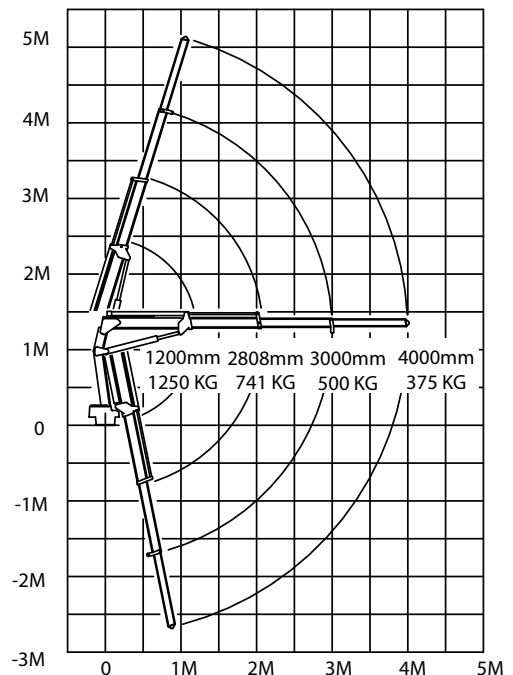
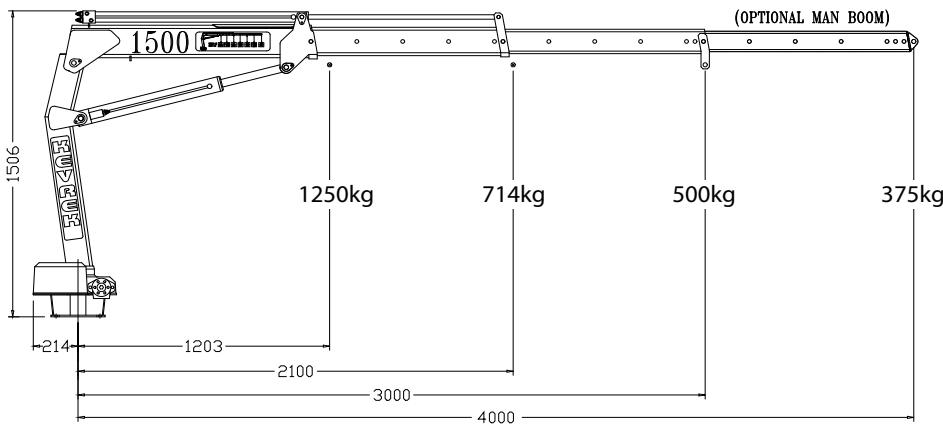
Capacity Class	1.50Tm (14.6kNm)
Maximum Lift Capacity	1250kg @ 1.2m Radius
Standard Outreach	3.00m
With Additional Boom	4.00m
Lifting Height Above Base Standard	4.10m
With Additional Boom	5.09m
Outreach Lifting Capacity	1.20m - 1250kg

Slewing Torque	2.2 kNm
Slewing Angle	290°
Pump Capacity	4.9 > 7.0l/min
Oil Tank Volume	3.0l
Working Pressure	3200 PSI (223 BAR)
Power Consumption	12 volt    0 > 240 amp 24 volt    50 > 150 amp

Weight Inc/Power Pack And Oil	180kg
Weight - Manual Leg C/W Motor Mount & Storage Mount	18kg
Swing up Hydraulic Stabiliser Leg	43kg
Height Folded	1295mm

## Options:

- Radio Remote Control
- 500Kg Hydraulic Winch
- Manual Swing Up Leg
- Hydraulic Leg
- Overload Protection System C/W Indicator Lights
- Multiple Function Pendant Control



The Australian Lifting Solution



156 Beringarra Ave, MALAGA WA 6090  
 email: kevrek@kevrek.com.au  
 website: www.kevrek.com.au  
 Ph: (08) 9248 5922 Fax: (08) 9248 5966

Kevrek Australia reserves the right to discontinue models or options at any time or change specifications, materials, equipment, or pricing without notice and without incurring obligation.