



**Lifting 990kg at 1.2m, the K1000 holds a firm stance in the Kevrek range of Cranes.**



**990Kg Lifting Capacity At 1.2M  
4 Metre Full Extension  
310Kg Lifting Capacity At 4M  
Emergency Stop  
Slew Operator Protection  
Hose Burst Protection  
Valve Control Guard  
Load Indicator  
Compliance - AS1418-11-2014**

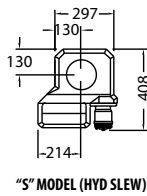
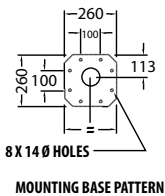
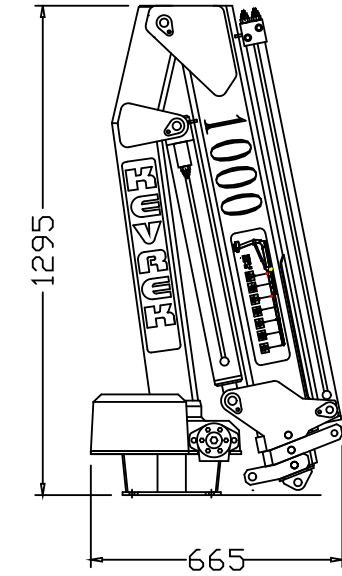
**Flexible Mounting Options  
Purposely built for the Australian Market  
National and International Dealer Network  
Specialised Attachments Available  
Proudly Australian Made  
2 Year Warranty  
5 Year Limited Warranty**



# KEVREK 1000s CRANE SPECIFICATIONS

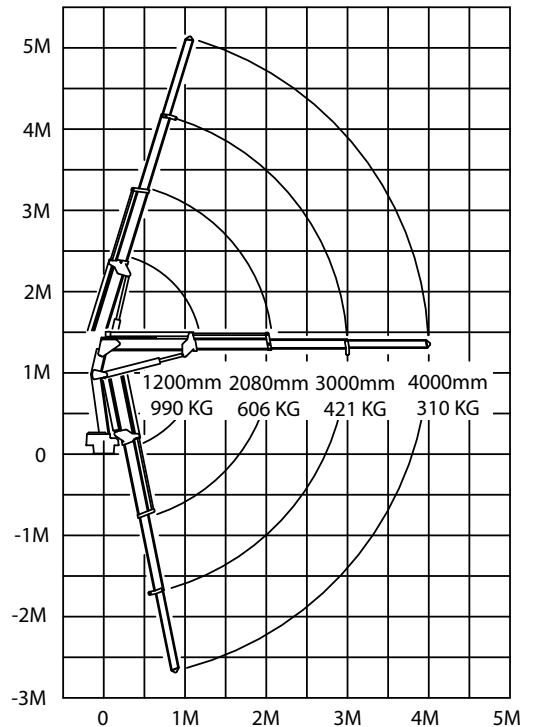
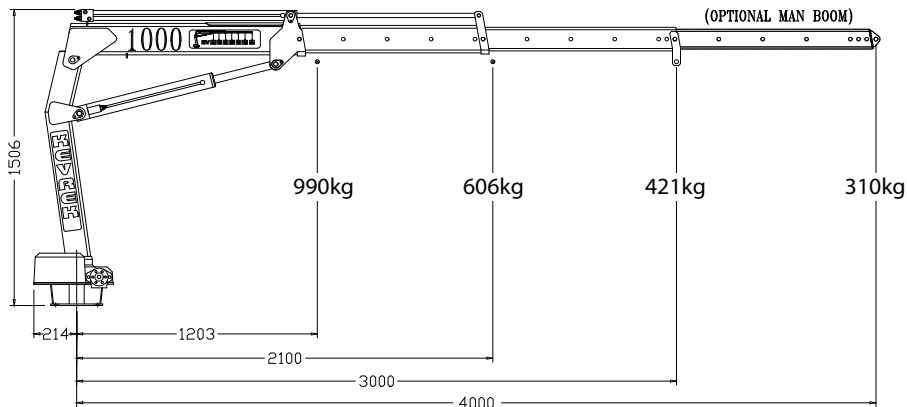
## TECHNICAL FEATURES:

Capacity Class	1.25Tm (12.2Knm)
Maximum Lift Capacity	990 @ 1.2M
Maximum Hydraulic Outreach	3.00M
Maximum Manual Outreach	4.00M
Lifting Height Above Base Std	4.10M
With Additional Boom	5.09M
Outreach Lifting Capacity	1.20M - 990Kg 2.10M - 606Kg 3.00M - 421Kg 4.00M - 310Kg
Slewing Torque	1.75Knm
Slewing Angle	310°
Pump Capacity	4.9 > 7.0L/Min
Oil Tank Volume	3.0L
Working Pressure	2500 Psi
Weight Inc/Power Pack And Oil	173Kg



## Options:

- Radio Remote Control
- 450Kg Hydraulic Winch
- Manual Swing Up Leg
- Hydraulic Leg
- Overload Protection System C/W Indicator Lights
- Multiple Function Pendant Control



**The Australian Lifting Solution**



156 Beringarra Ave, MALAGA WA 6090  
 email: kevrek@kevrek.com.au  
 website: www.kevrek.com.au  
 Ph: (08) 9248 5922 Fax: (08) 9248 5966

Kevrek Australia reserves the right to discontinue models or options at any time or change specifications, materials, equipment, or pricing without notice and without incurring obligation.